

✕ 25 Year System Warranty

✕ Low Profile - 28mm overall depth

✕ 360° Screen die cast housing

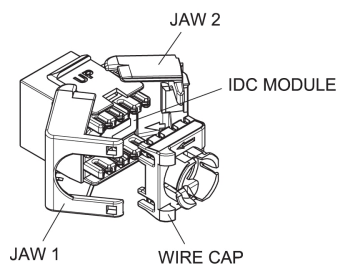
✕ Supports 10 Gigabit Ethernet

Features

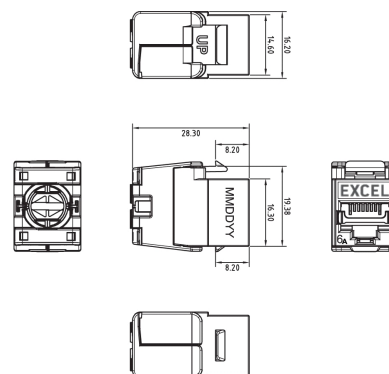
- 25 Year System Warranty
- 360° Screen die cast housing
- Toolless termination design
- 360° Shielding protects against alien crosstalk
- Low Profile - 28mm overall depth
- Supports 10 Gigabit Ethernet
- Lifetime Product Warranty
- 3rd Party ISO11801 2nd Edition verification

Product Overview

The Excel Category 6A Low Profile Screened Keystone Jack, is a reduced size toolless termination RJ45 socket. The reduced size allows for multiple cable entry directions to be accommodated when this jack is mounted in a standard depth back box. This permits many mounting options including flush shutters at the outlet as well as more common angled shutter used with keystone jacks. A choice of compatible Patch Panel frames with either 16 or 24 port density in both black and chrome are available for this Low Profile Jack. The socket itself is housed in a high quality zinc die cast housing, which opens at the rear in a butterfly manner to reveal the IDC termination points. Once the pairs are arranged in the cable management cap and trimmed it is a simple case of closing the 'butterfly' together to complete the termination.



A. Rear view of Keystone



B. Keystone profiles. Dimensions in mm

Performance Overview

The Excel Category 6A Low Profile Screened Keystone Jack is designed and manufactured to comply with the channel requirements of Augmented Category 6/Class EA specifications as defined in ISO 11801 2nd edition amend 1, and ANSI/TIA-568-C.2 standards. A range of performance characteristics are tested up to 500Mhz including return loss, attenuation, and near end cross talk (NEXT) and far end cross talk (FEXT). Both worst case and power sum test methods are applied. The product design incorporates staggered 50 micro-inch gold plated contact pins within the jack to ensure optimum performance levels are achieved, the die cast housing around the terminated pairs ensures Alien Crosstalk is minimised. Support of emerging applications such as 10 Gigabit Ethernet is guaranteed over channel distances of up to 100 metres. The Low Profile keystone jack is fully interoperable and backward compatible with Category 5e and Category 6 products.

Performance / Specification Table

Specification	ANSI/TIA-568-C.2
Dimensions	16.2mm wide x 28.3mm deep x 21.5mm high
Housing	Die cast Zinc-alloy
RJ45 Contacts	Nickel plated phosphor bronze alloy with 50 micro-inch Gold plating
IDC Contacts	Tin plated phosphor bronze alloy
IDC Wire Gauge	22 - 26 AWG
RJ45 Life	Minimum 750 insertions
Temperature range	
Storage	-40 to +70° C
Operation	-10 to +60° C
Relative humidity (Operational)	93% Maximum Non-condensing

Typical Applications

- 10Base-T Ethernet
- 100BASE-TX Fast Ethernet
- 1000BASE-T Gigabit Ethernet
- 10GBASE-T 10 Gigabit Ethernet
- Digital and Analogue Video
- 1.2/2.4 Gbs ATM

Part Number Information

Part No.	Description
100-181	Category 6A Low Profile Screened Keystone Jack - Toolless

System Warranty

The Excel System Warranty provides a 25-year product and applications assurance of compliance with the industry performance standard appropriate to the class of cabling installed. The warranty may be applied for by an accredited Excel Partner who has designed, supplied and installed the said system.



Excel is a world-class premium performing end-to-end infrastructure solution - designed, manufactured, supported and delivered - without compromise.

Contact us at sales@excel-networking.com

