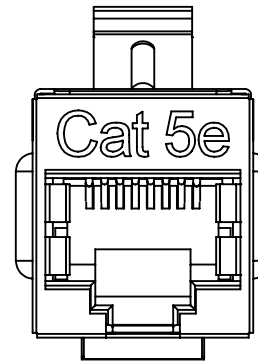
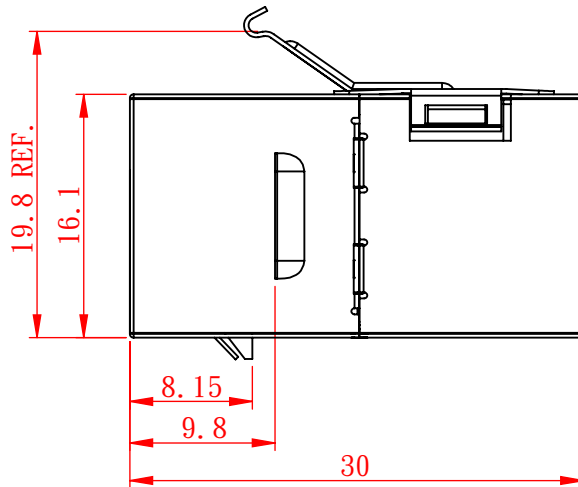
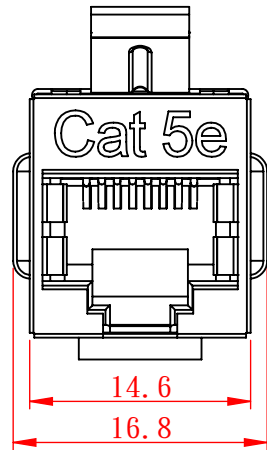
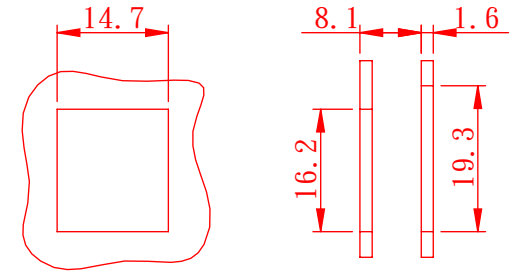


量產圖



SUGGESTED MOUNTING CUTOUT



ACCORDING TO ANSI/TIA-568-C.2
REQUIREMENTS
C5e CHANNEL COMPLIANT

MATERIAL

SHIELDED CASE : COPPER C2680, T=0.25MM, 30U" NICKEL PLATED
BRACKET : SUS304
COUPLER HOUSING : ABS HIGH-IMPACT UL94V-0 THERMOPLASTIC
CONTACT HOLDER : ABS HIGH-IMPACT UL94V-0 THERMOPLASTIC
SPRING WIRE : PHOSPHOR BRONZE 5100W TEMPER WIRE, Φ=0.45MM, 50U" GOLD OVER 100U" NICKEL UNDERCOAT

PHYSICAL CHARACTERISTICS

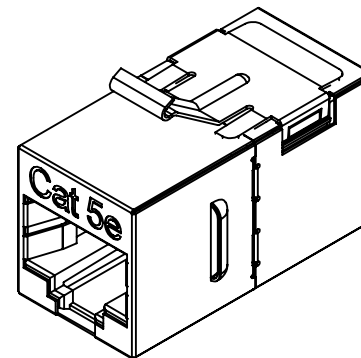
INSERTION LIFE : 750 MATING CYCLES WITH FCC COMPLIANT RJ-45 PLUG.
CONTACT FORCE : 100 GRAMS WITH FCC COMPLIANT RJ-45 PLUG.
PLUG RETENTION FORCE : 11 LBF MIN.
OPERATING TEMPERATURE RANGE : -10 °C TO 60 °C.
STORAGE TEMPERATURE RANGE : -40 °C TO 68 °C.
HUMIDITY : 10%-90%RH.

ELECTRICAL

INSULATION RESISTANCE : 500 MΩ.
DIELECTRIC WITHSTANDING VOLTAGE : 1000 V AC.
DC CURRENT RATING : 1.5 Amps.
DC RESISTANCE : 0.1Ω.
CONTACT RESISTANCE : 20mΩ.

NOTE

A : WILL NOT SUPPORT CHANNEL SHORTER THAN 15M.
B : DO NOT INSERT RJ-11 6P PLUG.



RoHS



Scale	2:1	All Copy Rights Reserved			
3rd Angle Projection		EXW Excellence Wire Ind. Co., Ltd			
Unit	mm	Title			
Date	2010/9/2	3D01-B01-00007 (02100LQ-8S-C5e-W4)			
Tolerance					Drawn by
~20	~50	~150	150~	ANGLE	Checked by
±0.2	±0.4	±0.5	±1.5	±2°	Kata Lo