



WT SERIES
NETWORK
600x600

WT Series NETWORK Wall Type Cabinets are designed for small or medium sized network installation requirements.

All types of 19" equipments of all trademarks and models are readily housed by keeping them in connection with each other, within said professional, wall type network cabinets. Thanks to its mountable structure to the wall, it may be easily used in cases where space is limited.

AESTHETIC VIEW

It presents an aesthetic view by means of its robust appearance, aluminum frame, and elegant and decorative structure of its front glass door. It adds value to the ambient in which it is installed by its appearance and application.

DURABLE PROFILES

Main carcass profiles clinched at the upper and lower chassis of the steel construction of the cabinet adds maximum soundness and resistance.



WT SERIES NETWORK WALL TYPE CABINETS W=600mm D=600mm

Product Code	Product Description	h Measurement (U)	Product Dimensions WxDxH (mm)	Width: Between Rails
MR.WTN07U60.XX	7U W=600mm D=600mm NETWORK	7U	600x600x423	19"
MR.WTN09U60.XX	9U W=600mm D=600mm NETWORK	9U	600x600x512	19"
MR.WTN12U60.XX	12U W=600mm D=600mm NETWORK	12U	600x600x645	19"
MR.WTN16U60.XX	16U W=600mm D=600mm NETWORK	16U	600x600x823	19"
MR.WTN20U60.XX	20U W=600mm D=600mm NETWORK	20U	600x600x1000	19"

XX= Color Code, 02 means Light Grey RAL 7035 and 01 means Black RAL 9005, the code is added by the customer at the order.

STANDARDS AND COMPLIANCES

- ISO9001:2008 Quality Management System
- IEC 297-1, 19" mounting standard
- IEC 297-2, Overall cabinet dimensions
- TS EN 61587-1 Standard.
- Environment Friendly
- %100 recyclable.






Technical Details

Features

19" Device Compatibility

Dimensions

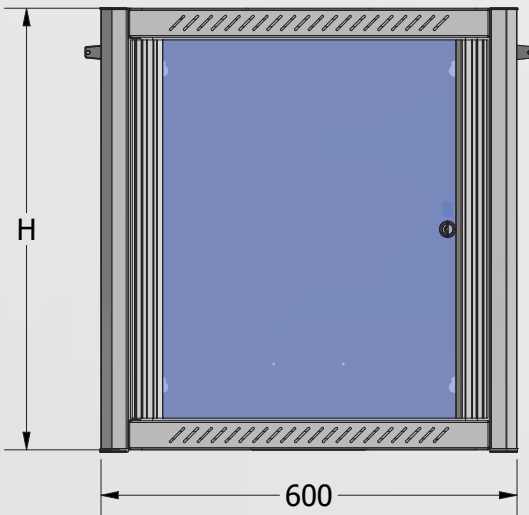
Size : 7U - 20U
Width : 600 mm
Height : 423-1000 mm
Depth : 600 mm

Material

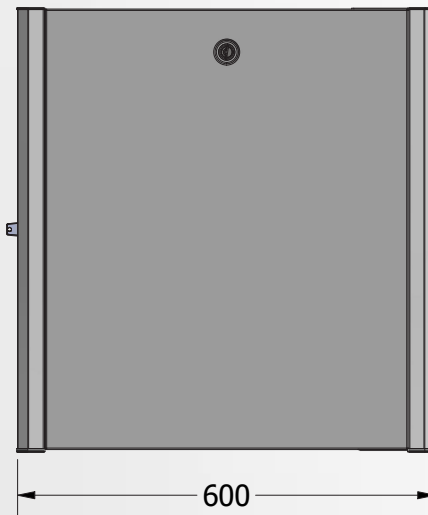
1 mm Steel

Appearance

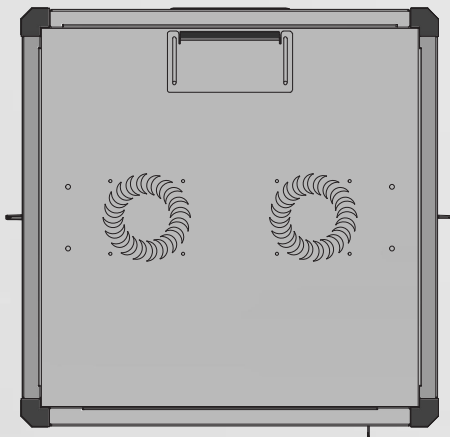
Finish Surface : Powder Coating
Color : RAL7035 - RAL9005



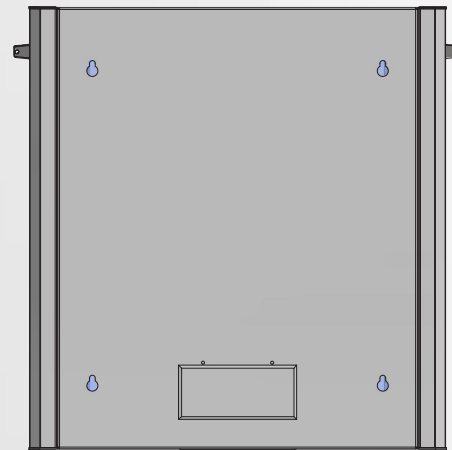
Front View



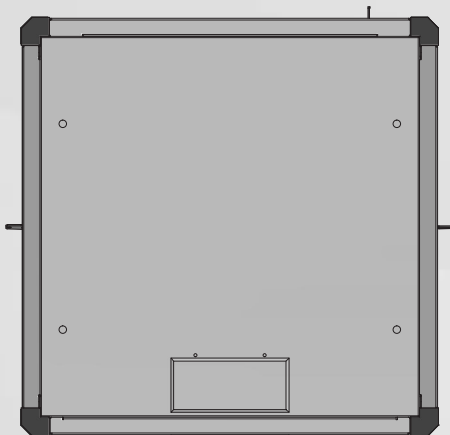
Side View



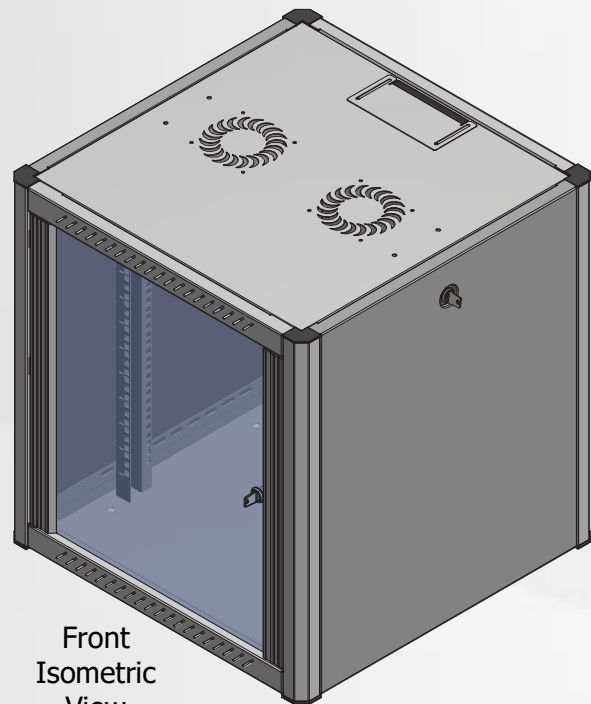
Top View



Rear View



Bottom View



Front
Isometric
View

