

Operation manual

Model: AA17060

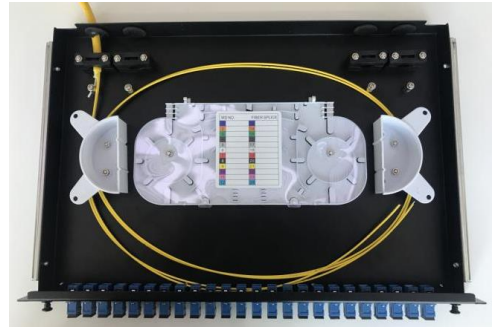
Step 1.

Open the Fiber optic patch panel. Check and prepare installation tools and accessories. To establish easy and safe installation put the box where it will be installed and measure the required length of the cable. Prepare the safe installation of the panel.



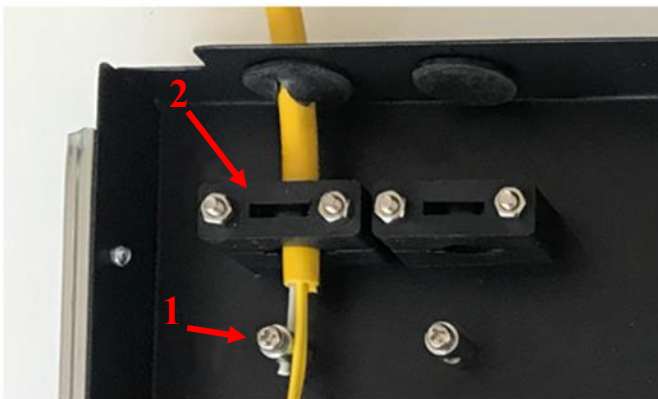
Step 2.

Strip the cable the required length, minimum 1 meter or more, to establish easy and safe installation with enough buffer size. Pass through the cable gland for safety. Fix the cable and coil inside the panel.



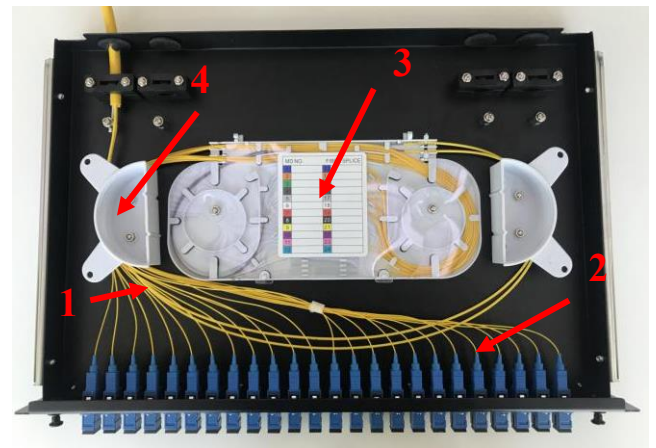
Step 3.

Fixing the cable strength member on the column (1) and stabilize with cable fixing part (2) inside the panel.



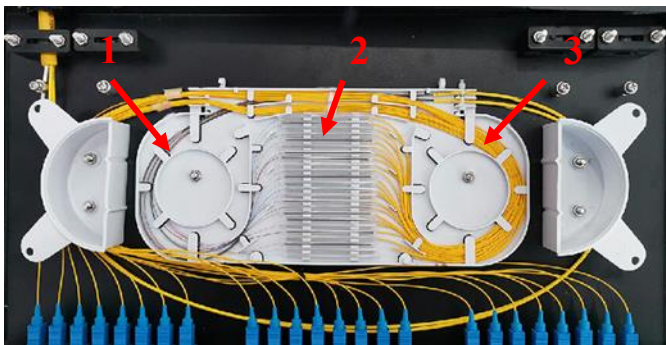
Step 4.

Connect the pigtails (1) on adapters (2) and coil the pigtails around the fiber spool (4) and splice tray (3).



Step 5.

Splice the stripped cable (1) and the pigtails (3). Put them in the splice tray (2) and use the puffers to coil the remaining fibers.



Step 6.

Close the cover, then tighten the screws at the final place, after finishing the basic light test or the measuring of all fibers.

