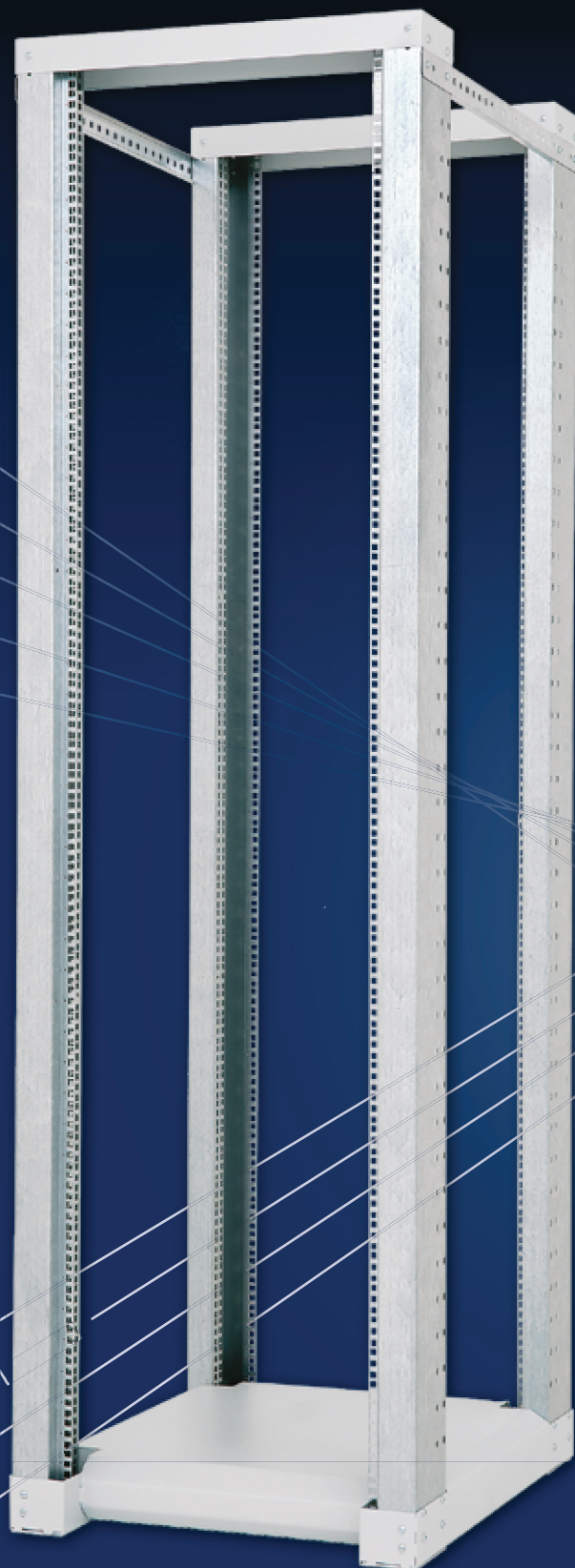


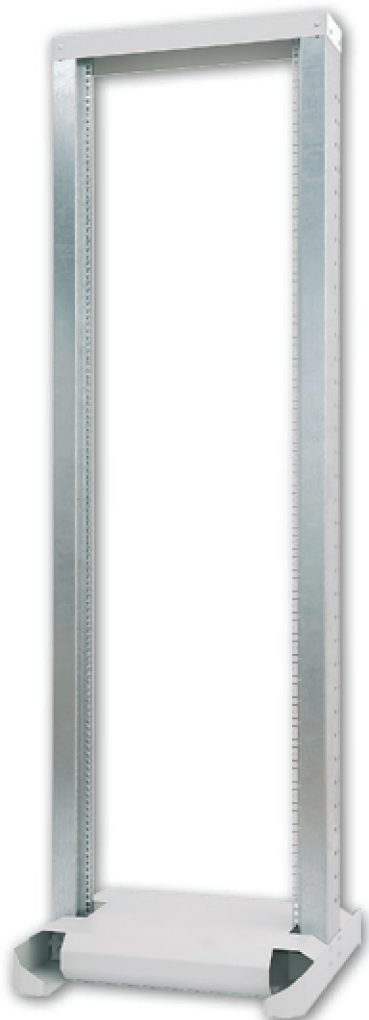
RSX



**RSX** >

19" open frames suitable for the installation of equipment  
in protected environments, capacity 150 and 400 kg

Single section frame



Double section frame



### ■ SINGLE SECTION FRAMES

We recommend the single section open frames for simple installations without heavy components.



### ■ RIGID CONSTRUCTION

Vertical profile rails provide a high maximum loading capacity and a rigidity of an open frame.



### ■ CASTORS, NIVELATION FEET

Preparation for mounting of castors and nivelation feet.

### ■ DOUBLE SECTION FRAMES

The double section 19" open frame is more suitable for installation of heavier and larger devices. During the development, we have focused on construction simplicity, easy installation and maintenance.

### SINGLE SECTION 600 x 600

TYPE	A	B	D	E	Weight gross (kg)	Weight net (kg)	Maximum recommended load (kg)
	(mm)						
RSX-27-XS6-CXX-A3	1365		616	600	34,3	27,5	150
RSX-32-XS6-CXX-A3	1587		616	600	36,4	29,6	
RSX-37-XS6-CXX-A3	1809		616	600	38,4	31,7	
RSX-42-XS6-CXX-A3	2031		616	600	40,5	33,7	
RSX-45-XS6-CXX-A3	2165		616	600	41,7	35,0	

### DOUBLE SECTION 600 x 600

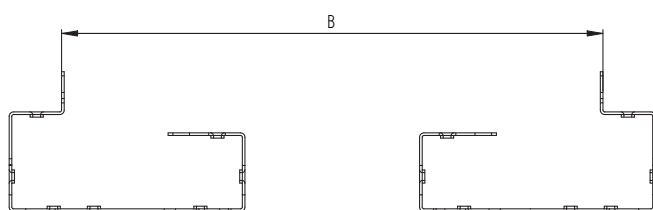
TYPE	A	B	D	E	Weight gross (kg)	Weight net (kg)	Maximum recommended load (kg)
	(mm)						
RSX-27-XD6-CXX-A3	1365	536	616	600	51,4	43,4	400
RSX-32-XD6-CXX-A3	1587	536	616	600	55,5	47,5	
RSX-37-XD6-CXX-A3	1809	536	616	600	59,7	51,6	
RSX-42-XD6-CXX-A3	2031	536	616	600	63,8	55,7	
RSX-45-XD6-CXX-A3	2165	536	616	600	66,3	58,2	

### DOUBLE SECTION 600 x 700

TYPE	A	B	D	E	Weight gross (kg)	Weight net (kg)	Maximum recommended load (kg)
	(mm)						
RSX-27-XD7-CXX-A3	1365	636	616	700	53,2	45,1	400
RSX-32-XD7-CXX-A3	1587	636	616	700	57,3	49,3	
RSX-37-XD7-CXX-A3	1809	636	616	700	61,4	53,4	
RSX-42-XD7-CXX-A3	2031	636	616	700	65,5	57,5	
RSX-45-XD7-CXX-A3	2165	636	616	700	68,0	60,0	

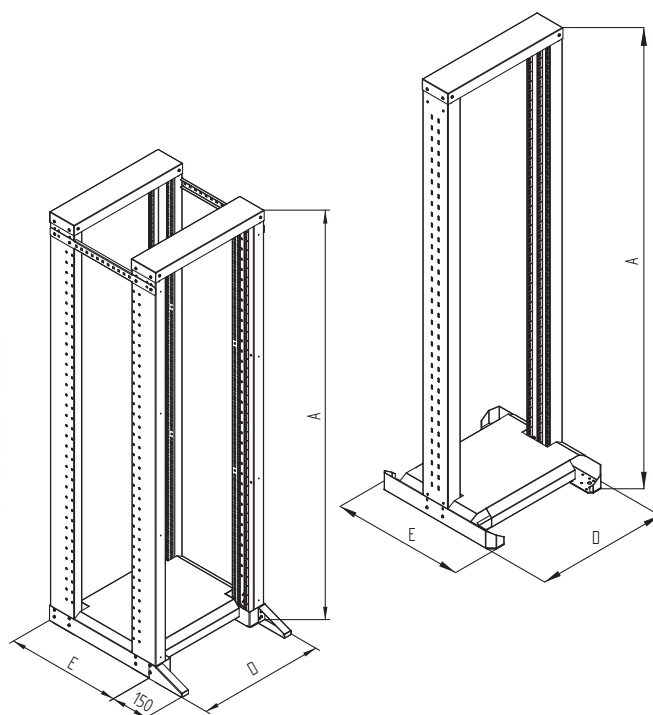
### DOUBLE SECTION 600 x 800

TYPE	A	B	D	E	Weight gross (kg)	Weight net (kg)	maximum recommended load (kg)
	(mm)						
RSX-27-XD8-CXX-A3	1365	736	616	800	54,9	46,9	400
RSX-32-XD8-CXX-A3	1587	736	616	800	59,0	51,0	
RSX-37-XD8-CXX-A3	1809	736	616	800	63,2	55,1	
RSX-42-XD8-CXX-A3	2031	736	616	800	67,3	59,2	
RSX-45-XD8-CXX-A3	2165	736	616	800	69,8	61,7	



#### STABILIZATION SET

It is mounted additionally on the base of the double section frame and increases stability of the whole set in case of installation of slide-out devices, e.g. servers.





## RSX 19" OPEN FRAMES

### ■ DESCRIPTION, PURPOSE OF USE

- 19" open frames are used for installations of devices in predetermined rooms.
- Frames are produced single sectioned and double sectioned.
- For better stability it is advisable to use a double section frame.
- Frame construction:
  - Ready to assemble
  - Steel parts joined by screws
  - 19" profile frame is suitable for placing directly on the floor using levelling feet or castors (castors are not included)
- Min. thickness of the surface finish is 65 µm.

### ■ OPERATING CONDITIONS

- Operating environment:
  - Office
  - The frame is not intended for outdoor installations and for installations in environment that can influence negatively the functionality of the cabinet and the mounted devices (e.g. environment with danger of explosion or humid and wet surroundings))
- Must be protected against:
  - Mechanical damage
  - Improper handling
  - A different usage than the cabinet is intended for
- Improper handling is especially:
  - Overloading (exceeding the maximum recommended load)
  - Installing devices which may negatively influence the operation and function of the cabinet or the installed equipment.
  - Change of the construction or design of the cabinet

### ■ MOUNTING OF THE FRAME

- To ensure the maximum recommended load, it is necessary to distribute the load equally. It is necessary to prevent one-side or one-point loading of the frame.
- Place the frame on a flat floor and compensate an eventual small roughness with nivelation feet.

### ■ ENVIRONMENTAL PROTECTION

- All parts are made of recyclable materials and after decommissioning the cabinet, it must be disposed of according to relevant regulations

### ■ CERTIFICATE AND CONFORMITY

- This product is fully in accordance with ČSN EN 62208 ed 2:2012.

